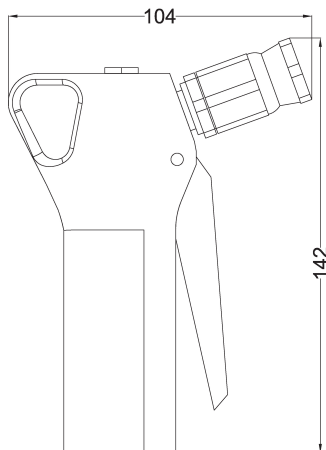


COOLANT GUNS / WATER PISTOL / LIQUID GUN WITH ADJUSTABLE FLOW PATTERN

General Imsubs Coolant guns are used on CNC / VMC machines.



SPECIFICATIONS

Operating Pressure : 0-12 bar.
Flow pattern : Adjustable jet / fan.
Rubber components : NBR rubber
Inlet Connection: 3/8" BSP
Body : alloy Aluminum.
Nozzle : Electroplated brass, Adjustable flow pattern from jet to fan.

Made in India
Availability of spares

All General Imsubs products are Made in India and we commit spare support. Hence unlike imported products, you do not have to dispose off and replace our products in case of any problem.

Other General Imsubs products

1. Compressed air saving blow guns and nozzles. Specific blow guns and nozzles for specific application. Available type : High thrust, wide & high flow, adjustable flow, silent nozzles, custom nozzles
2. Cold air guns for spot cooling and dry machining of brass, plastic, steel etc. Increase tool life and cutting speed. Ultrasonic welding horn cooling, camera cooling, tool cooling.
3. Mist spray nozzles - reduces coolant consumption.
4. Unique deep blind hole cleaning gun. Must for VMC and deep hole drilling.
5. Vortex tube and cabinet coolers for instant cooling of electrical cabinets.



General Imsubs P. Ltd.

3711/A, GIDC, Phase-IV, Vatva, Ahmedabad 382445, India

Ph.:+91- 4008 5984, 4008 5985, 2584 2503

Email : air@giplindia.com Catalogue : www.giplindia.com/pdf

Ahmedabad : 9924325992
Aurangabad : 9764353222
Delhi : 9311955933
Faridabad : 9311955911
Gurgaon : 9311955912
Rajasthan : 9311955912
Panipat : 9311955914
Karnal : 9311955914
Kanpur : 9792003861
Kutch : 9978531222

Kolhapur : 9881511144
Kanpur : 9792003861
Bhiwadi : 9311955912
Hyderabad : 9440066572
Jamshedpur : 9431300925
Mumbai : 9029496099
Pune : 9850365936
Rajkot : 9825169077
Coimbatore : 9894035264